

**NOTES**

1. ALL PIPE TO BE SDR-26 ASTM 3034
2. USE NEOPRENE COUPLING W/STAINLESS STRAPS AT CONNECTION WITH EXISTING SERVICE.
- \* 3. IN PAVEMENT USE A CLEANOUT FRAME & COVER.

1  
1

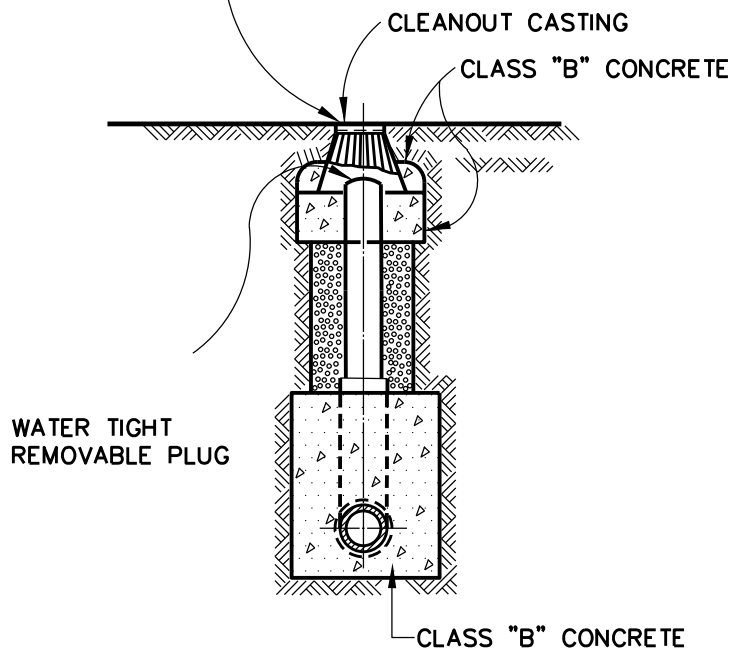
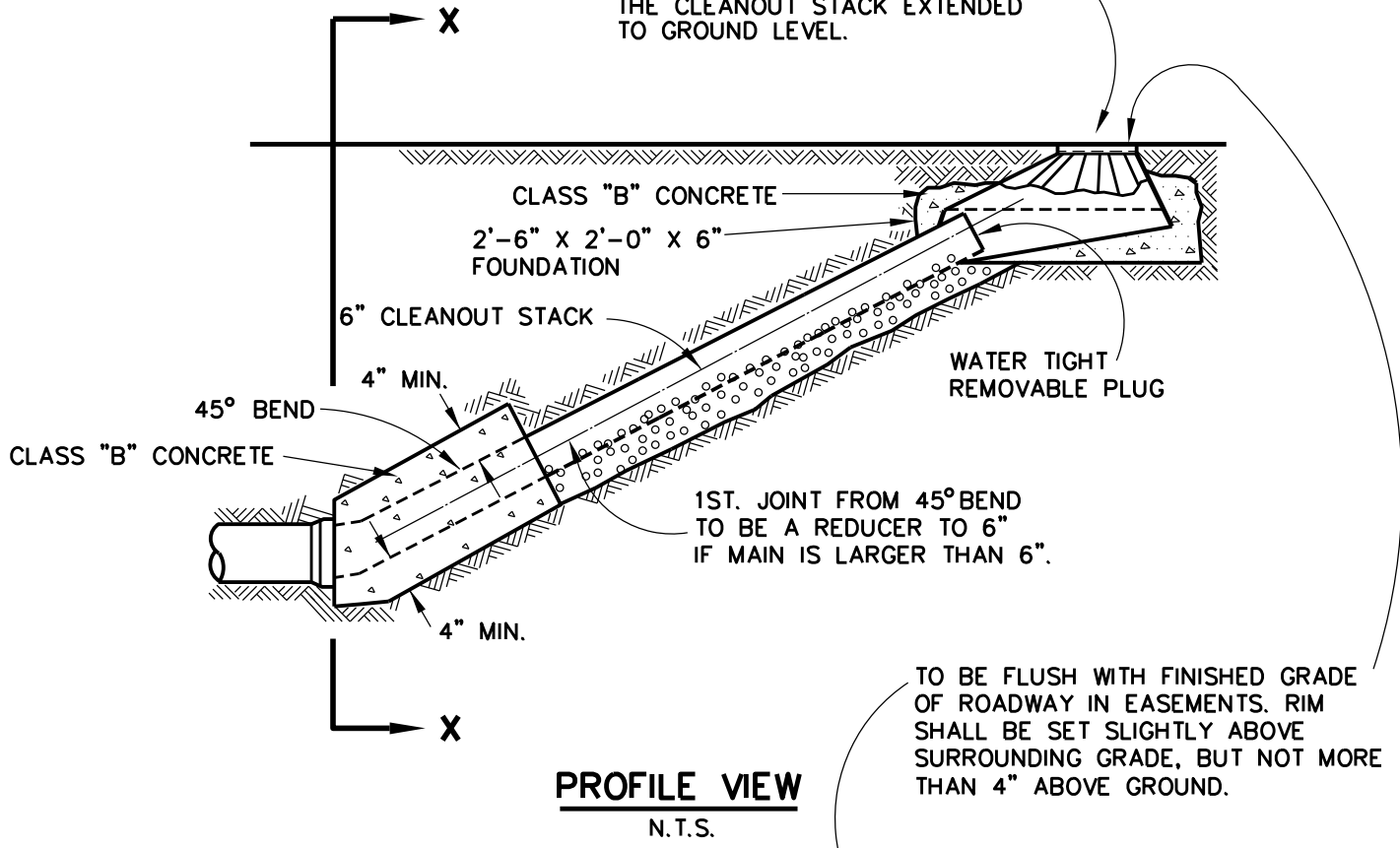
Revision Date: 8/21

|                                |                 |
|--------------------------------|-----------------|
| Scale : NTS                    | Date : 06/01/05 |
| Design : COG                   |                 |
| Drawn : JMK                    |                 |
| Dwg. File : CLN_001.DWG        |                 |
| Project No. : STANDARD-DETAILS |                 |



**TYPICAL WASTEWATER SINGLE  
STACK 2-WAY CLEANOUT FOR  
SERVICE CONNECTION**

SANITARY CLEANOUT BOOT EQUAL TO  
BASS & HAYS #339 TO BE INSTALLED  
CENTERED OVER THE CENTERLINE OF  
THE CLEANOUT STACK EXTENDED  
TO GROUND LEVEL.



**NOTE:**

IF CLEANOUT IS PLACED IN ADVANCE OF  
PAVEMENT PLACE SAND AROUND CLEANOUT  
CASTING IN LIEU OF CONCRETE.

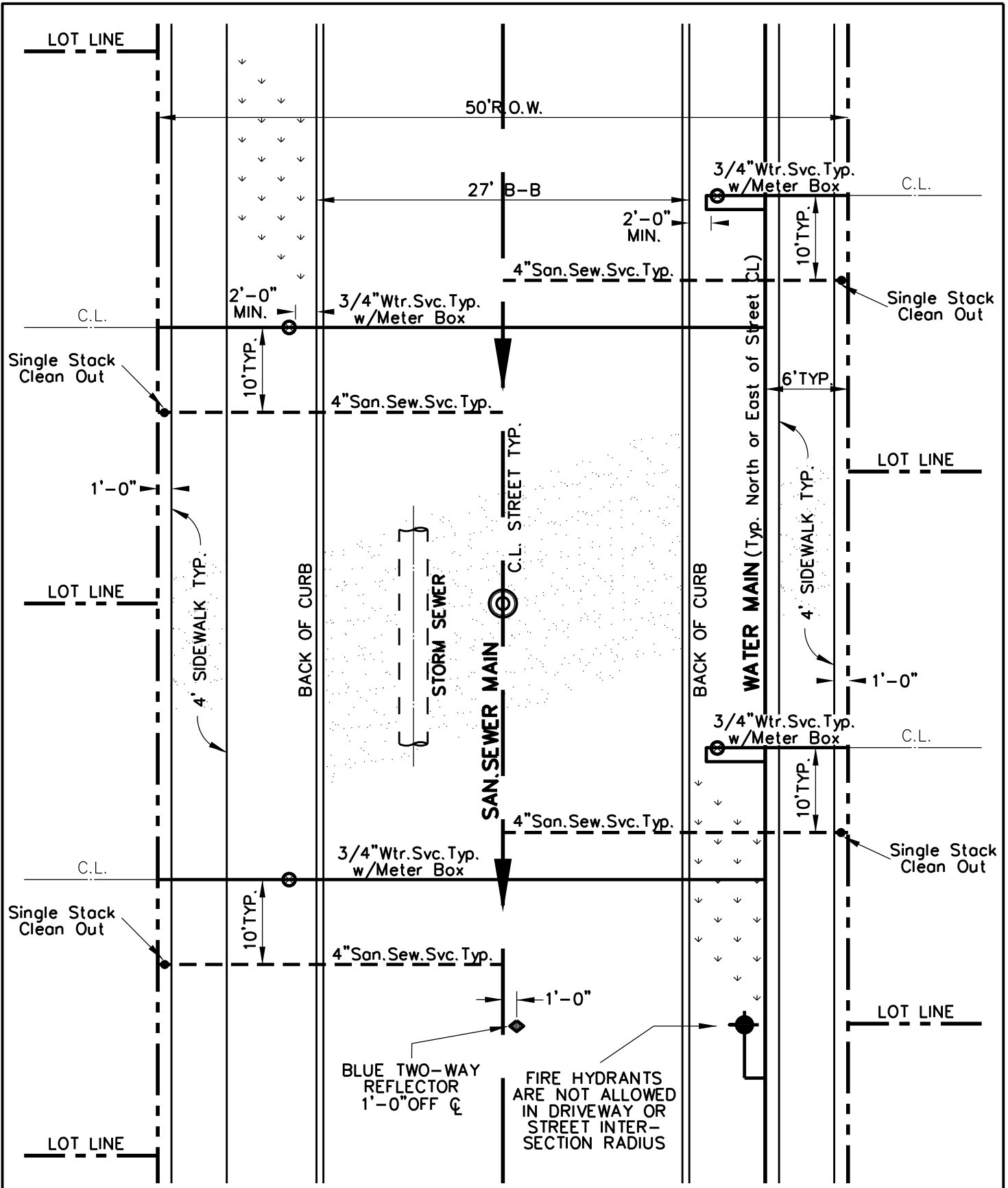
Revision Date: 5/20

1  
1

|                                |                 |
|--------------------------------|-----------------|
| Scale : N/A                    | Date : 06/01/05 |
| Design :                       |                 |
| Drawn : JMK                    |                 |
| Dwg. File : CLN_002.DWG        |                 |
| Project No. : STANDARD-DETAILS |                 |



**WASTEWATER MAIN LINE  
DEADEND CLEANOUT**



**NOTE:**

METERS, FIRE HYDRANTS AND CLEANOUTS ARE NOT ALLOWED IN CONCRETE PAVEMENT.

1  
1

Revision Date: 5/20

|               |                  |        |          |
|---------------|------------------|--------|----------|
| Scale :       | N/A              | Date : | 02/24/06 |
| Design :      |                  |        |          |
| Drawn :       | JMK              |        |          |
| Dwg. File :   | CLN_003.DWG      |        |          |
| Project No. : | STANDARD-DETAILS |        |          |



TYPICAL RESIDENTIAL WATER & SAN. SEWER CONNECTION DETAIL

